

OR 3/4 C

ORTA Tap Range

Orta Bath Taps Chrome



Features:

- Long life and easy to use 1/4 turn ceramic disc valves
- Metal back nuts for added durability
- Easy to use metal handles
- Chrome plated to BS EN 248

Product Certifications:



WRAS Certificate No: 1607001
WRAS Expiry Date: 31/07/2021

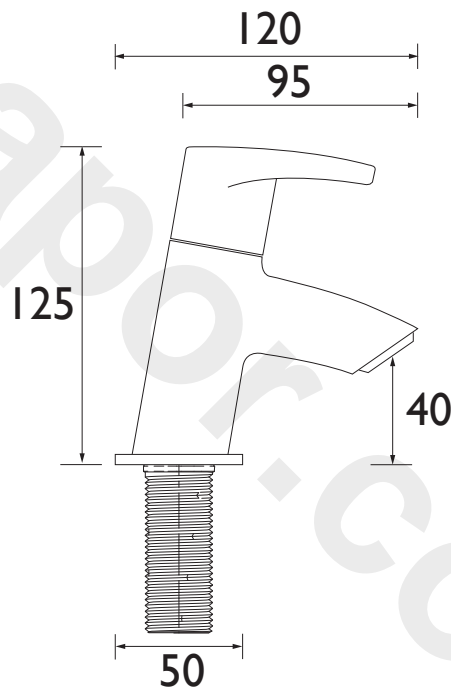
For more products, visit our website:
<http://www.bristan.com>



Specification

Product Type:	Bathroom Taps
Main Construction Material:	Brass
Mount Type:	Deck
Handle Type:	Lever
Connection Inlet:	3/4" BSP
Connection Outlet:	M24 Flow Straightener
Number of Tap Holes:	2
Valve/Cartridge Type:	3/4" Ceramic Disc Valve - 1/4 turn
Plumbing System Requirements:	Suitable for all plumbing systems
Minimum Dynamic Pressure (bar):	0.2 bar
Maximum Dynamic Pressure (bar):	5 bar
Maximum Hot Water Temperature °C:	60°C
Maximum Static Pressure (bar):	10 bar
Isolation Included:	No

Dimensions (measurements in mm)



Flow Rates (l/min)

System Pressure (bar)	0.2	0.5	1	2	3	5
OR 3/4 C (Cold)	15.3	25.3	36.2	51.1	61.9	103.2
OR 3/4 C (Hot)	14.5	24.4	35.4	50.1	61.3	79.2

TECHNICAL DATA SHEET



BRISTAN

D5